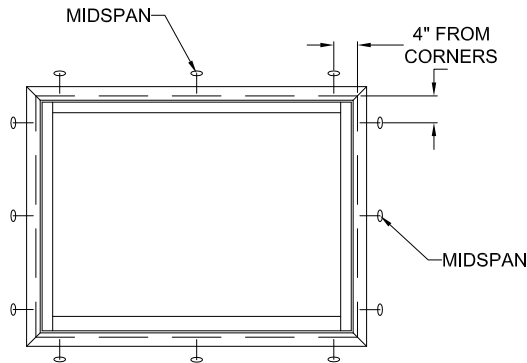
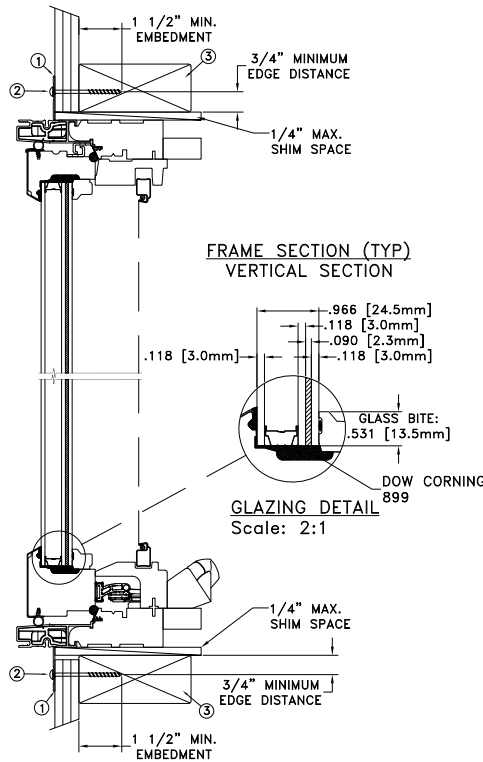


NAILFIN INSTALLATION

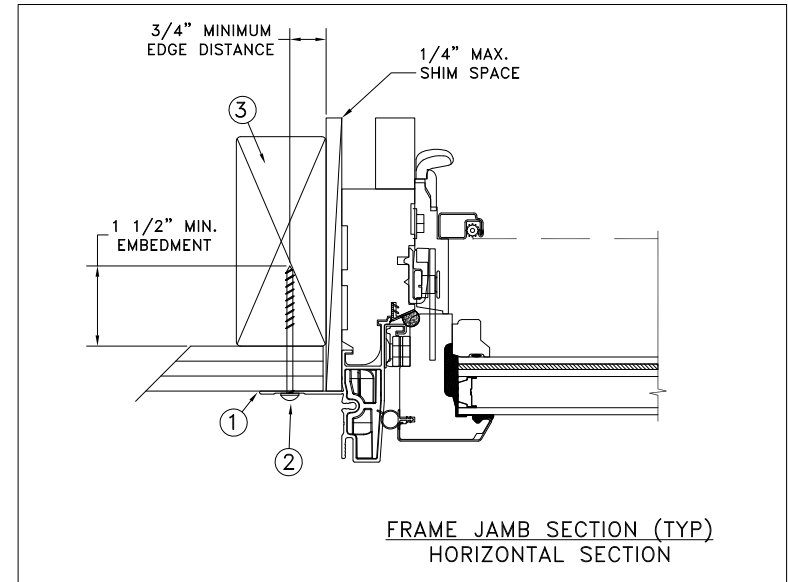


TYPICAL ELEVATION WITH FASTENER SPACING



FRAME SECTION (TYP)  
VERTICAL SECTION

GLAZING DETAIL  
Scale: 2:1



FRAME JAMB SECTION (TYP)  
HORIZONTAL SECTION

MAXIMUM FRAME	DP	IMPACT
48 x 36	+60/-65	YES
WINDZONE 3		

**Installation Notes:**

1. Seal flange/frame to substrate. Sill shall be set on a continuous serpentine bead of structural grade silicone caulk when no fastener is used to anchor the sill (typical).
2. Use #8 PH or greater fastener through the nailing flange with sufficient length to penetrate a minimum of 1 1/2" into the wood framing. For 2x wood frame substrate (min. S.G. = 0.42)
3. Host structure (wood buck, masonry, steel) to be designed and anchored to properly transfer all loads to the structure. The host structure is the responsibility of the architect or engineer of record for the project of installation.

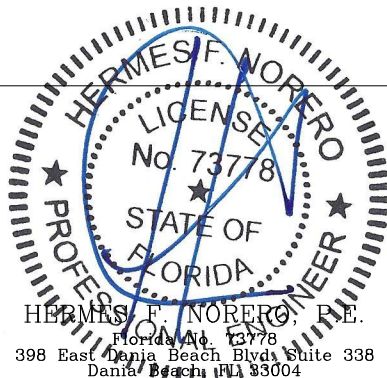
**General Notes:**

1. The product shown herein is designed, tested and manufactured to comply with the wind load criteria of the adopted International Building Code (IBC), the International Residential Code (IRC), the Florida Building Code (FBC) and the industry requirement for the stated conditions.
2. All glazing shall conform to ASTM E1300.
3. At minimum, glazing is 3.0mm annealed - 13.3mm airspace - 3.0mm annealed - 2.3mm SGP Interlayer by Kuraray - 3.0mm annealed insulating glass.
4. Use structural or composite shims where required.

This schedule addresses only the fasteners required to anchor the unit to achieve the rated design pressure and impact performance (where applicable) up to the size limitations noted. It is not intended as a guide to the installation process and does not address the sealing consideration that may arise in different wall conditions. For the complete installation procedure, see the instructions packaged with the unit or go to [www.jeld-wen.com](http://www.jeld-wen.com).

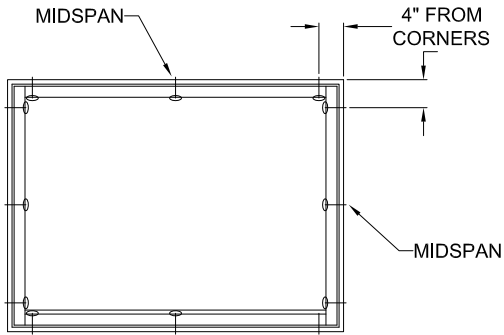
**DISCLAIMER:**

This drawing and its contents are confidential and are not to be reproduced or copied in whole or in part or used or disclosed to others except as authorized by JELD-WEN Inc.

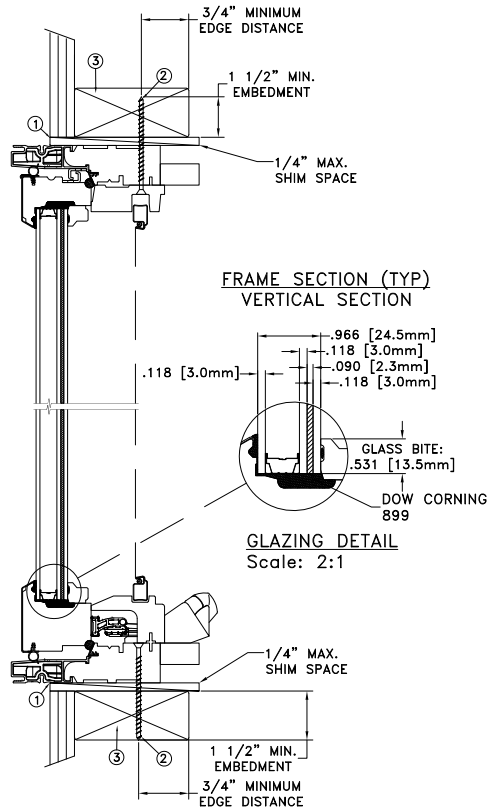


HERMES F. NORERO, P.E.  
Florida No. 73778  
398 East Dania Beach Blvd, Suite 338  
Dania Beach, FL 33004

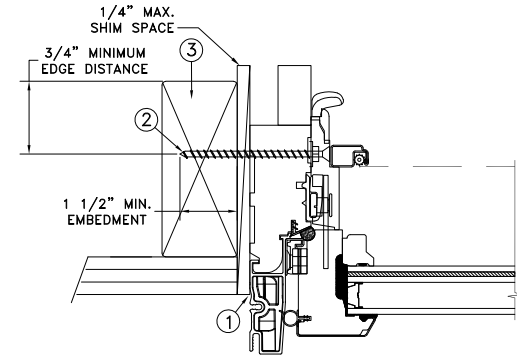
DATE: 12/04/2018		3737 LAKEPORT BLVD. KLAMATH FALLS OR, 97601 PHONE: (800) 535-3936
DRAWN BY: J.HAWKINS		SCALE: NTS
CHECKED BY: G.GARDNER	<p>Custom Clad Awning Window - Impact</p>	
APPROVED BY: D.STOKES		
RECORD No.: D006832	REPORT No.: 4726.01-301-47-R1	CAD DWG. No.: CustCLAwN Cert
		REV: A SHEET 1 of 5



TYPICAL ELEVATION WITH FASTENER SPACING



THROUGH FRAME  
INSTALLATION



FRAME JAMB SECTION (TYP)  
HORIZONTAL SECTION

MAXIMUM FRAME	DP	IMPACT
48 x 36	+60/-65	YES

WINDZONE 3

Installation Notes:

1. Seal flange/frame to substrate. Sill shall be set on a continuous serpentine bead of structural grade silicone caulk when no fastener is used to anchor the sill (typical).
2. Use #9 PH or greater fastener through the head, sill and side jambs with sufficient length to penetrate a minimum of 1 1/2" into the wood framing. For 2x wood frame substrate (min. S.G. = 0.42)
3. Host structure (wood buck, masonry, steel) to be designed and anchored to properly transfer all loads to the structure. The host structure is the responsibility of the architect or engineer of record for the project of installation.

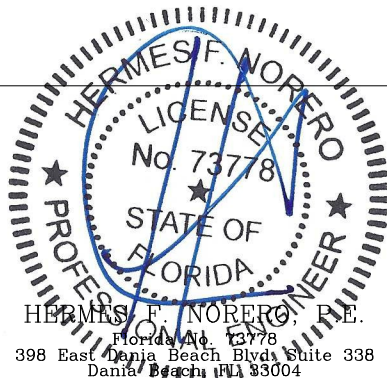
General Notes:

1. The product shown herein is designed, tested and manufactured to comply with the wind load criteria of the adopted International Building Code (IBC), the International Residential Code (IRC), the Florida Building Code (FBC) and the industry requirement for the stated conditions.
2. All glazing shall conform to ASTM E1300.
3. At minimum, glazing is 3.0mm annealed - 13.3mm airspace - 3.0mm annealed - 2.3mm SGP Interlayer by Kuraray - 3.0mm annealed insulating glass.
4. Use structural or composite shims where required.

This schedule addresses only the fasteners required to anchor the unit to achieve the rated design pressure and impact performance (where applicable) up to the size limitations noted. It is not intended as a guide to the installation process and does not address the sealing consideration that may arise in different wall conditions. For the complete installation procedure, see the instructions packaged with the unit or go to [www.jeld-wen.com](http://www.jeld-wen.com).

DISCLAIMER:

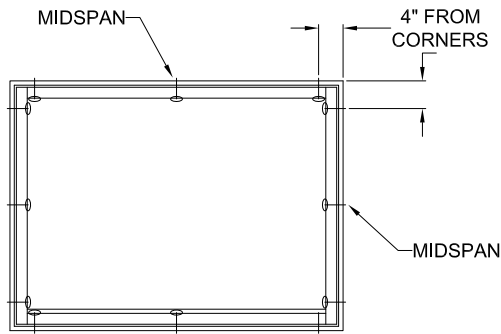
This drawing and its contents are confidential and are not to be reproduced or copied in whole or in part or used or disclosed to others except as authorized by JELD-WEN Inc.



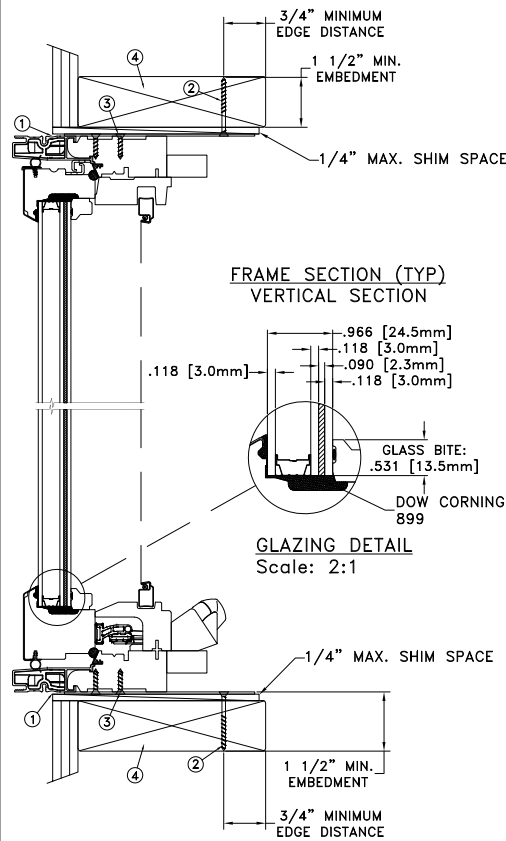
HERMES F. NORERO, P.E.  
Florida No. 73778  
398 East Dania Beach Blvd, Suite 338  
Dania Beach, FL 33004

DATE: 12/04/2018		3737 LAKEPORT BLVD. KLAMATH FALLS OR, 97601 PHONE: (800) 535-3936
DRAWN BY: J.HAWKINS		SCALE: NTS
CHECKED BY: G.GARDNER	TITLE: Custom Clad Awning Window - Impact	
APPROVED BY: D.STOKES	RECORD No.:	
	D006832	
REPORT No.:	4726.01-301-47-R1	
CAD DWG. No.:	CustCLAwning Cert	REV: A SHEET 2 of 5

MASONRY STRAP  
INSTALLATION

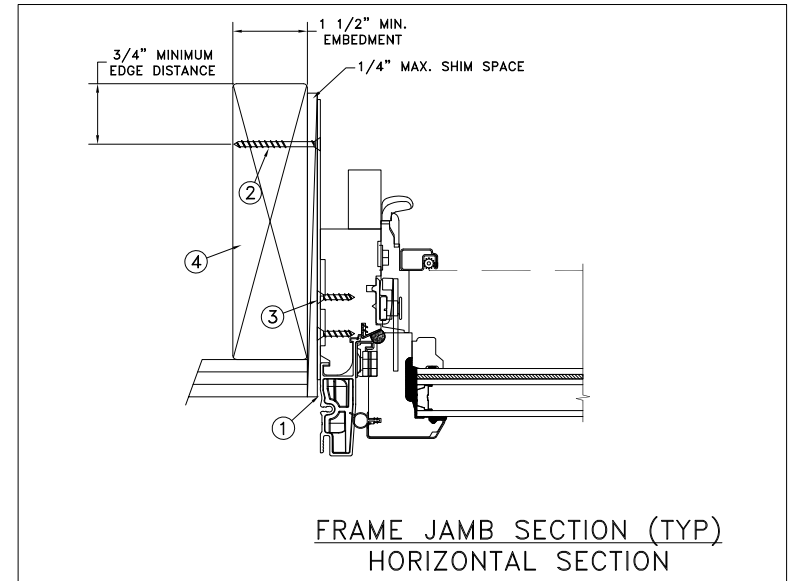


TYPICAL ELEVATION WITH FASTENER SPACING



FRAME SECTION (TYP)  
VERTICAL SECTION

GLAZING DETAIL  
Scale: 2:1



FRAME JAMB SECTION (TYP)  
HORIZONTAL SECTION

MAXIMUM FRAME	DP	IMPACT
48 x 36	+60/-65	YES

WINDZONE 3

**Installation Notes:**

1. Seal flange/frame to substrate. Sill shall be set on a continuous serpentine bead of structural grade silicone caulk when no fastener is used to anchor the sill (typical).
2. Use 2 - #8 PFH or larger fasteners through masonry strap with sufficient length to penetrate a minimum of 1 1/2" into the buck.. For 2x wood frame substrate (min. S.G. = 0.42).
3. Use 2 - #8 PFH or larger fasteners through masonry strap into jamb without penetrating through the jamb into product causing visibility or collateral damage to product.
4. Host structure (wood buck, masonry, steel) to be designed and anchored to properly transfer all loads to the structure. The host structure is the responsibility of the architect or engineer of record for the project of installation.

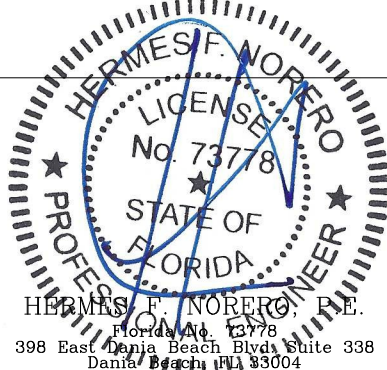
**General Notes:**

1. The product shown herein is designed, tested and manufactured to comply with the wind load criteria of the adopted International Building Code (IBC), the International Residential Code (IRC), the Florida Building Code (FBC) and the industry requirement for the stated conditions.
2. All glazing shall conform to ASTM E1300.
3. At minimum, glazing is 3.0mm annealed - 13.3mm airspace - 3.0mm annealed - 2.3mm SGP Interlayer by Kuraray - 3.0mm annealed insulating glass.
4. Use structural or composite shims where required.

This schedule addresses only the fasteners required to anchor the unit to achieve the rated design pressure and impact performance (where applicable) up to the size limitations noted. It is not intended as a guide to the installation process and does not address the sealing consideration that may arise in different wall conditions. For the complete installation procedure, see the instructions packaged with the unit or go to [www.jeld-wen.com](http://www.jeld-wen.com).

**DISCLAIMER:**

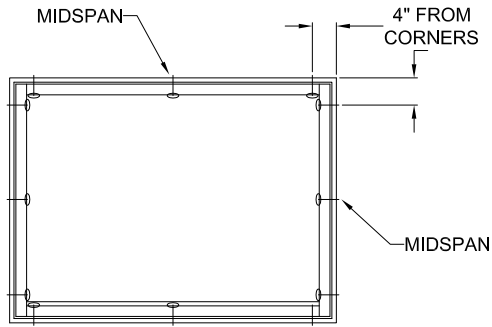
This drawing and its contents are confidential and are not to be reproduced or copied in whole or in part or used or disclosed to others except as authorized by JELD-WEN Inc.



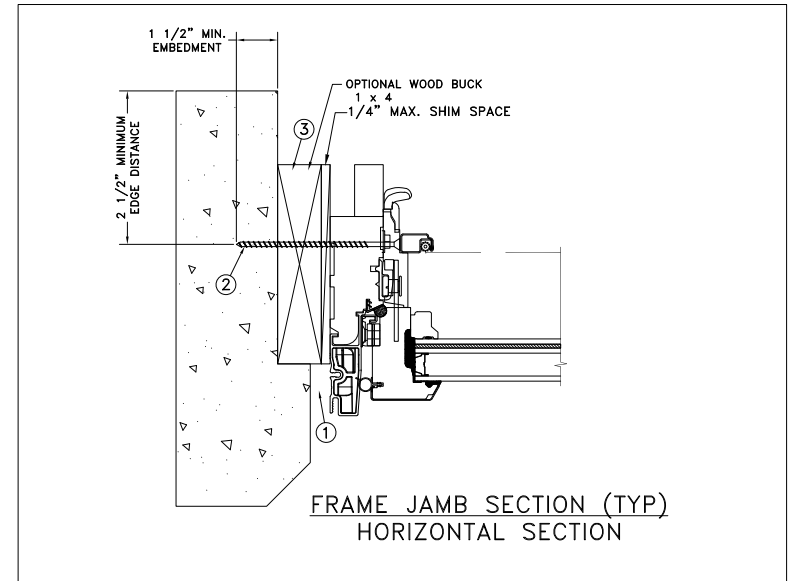
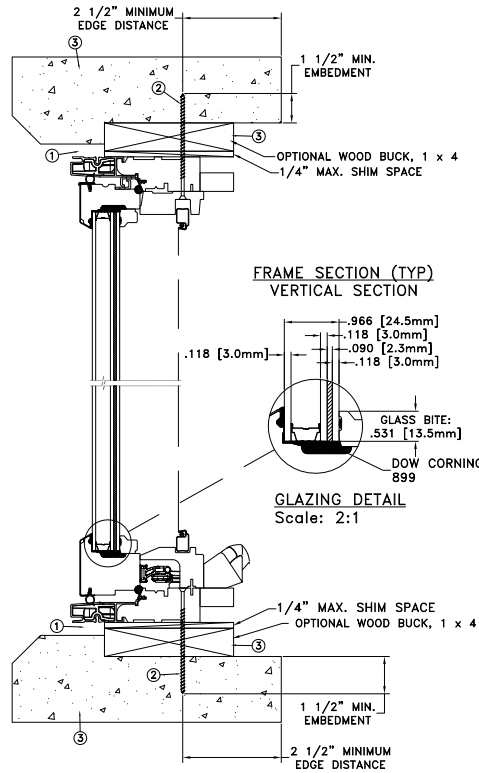
HERMES F. NORERO, P.E.  
Florida No. 73778  
398 East Dania Beach Blvd, Suite 338  
Dania Beach, FL 33004

DATE: 12/04/2018		3737 LAKEPORT BLVD. KLAMATH FALLS OR, 97601 PHONE: (800) 535-3936
DRAWN BY: J.HAWKINS		SCALE: NTS
CHECKED BY: G.GARDNER	Custom Clad Awning Window - Impact	
APPROVED BY: D.STOKES		
RECORD No.: D006832	CAD DWG. No.: CustCLAwN Cert	REV: A SHEET 3 of 5
REPORT No.: 4726.01-301-47-R1		

CONCRETE/MASONRY  
INSTALLATION



TYPICAL ELEVATION WITH FASTENER SPACING



MAXIMUM FRAME	DP	IMPACT
48 x 36	+60/-65	YES

WINDZONE 3

**Installation Notes:**

1. Seal flange/frame to substrate. Sill shall be set on a continuous serpentine bead of structural grade silicone caulk when no fastener is used to anchor the sill (typical).
2. Use 3/16" tapcon or equivalent fasteners through frame with sufficient length to penetrate a minimum of 1 1/2" into concrete or masonry at each location with a 2 1/2" min. from edge distance. For concrete (min. fc = 3000 psi) or masonry substrate (CMU shall adhere to ASTM C90).
3. Host structure (wood buck, masonry, steel) to be designed and anchored to properly transfer all loads to the structure. The host structure is the responsibility of the architect or engineer of record for the project of installation.

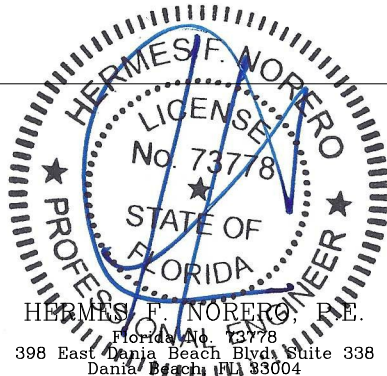
**General Notes:**

1. The product shown herein is designed, tested and manufactured to comply with the wind load criteria of the adopted International Building Code (IBC), the International Residential Code (IRC), the Florida Building Code (FBC) and the industry requirement for the stated conditions.
2. All glazing shall conform to ASTM E1300.
3. At minimum, glazing is 3.0mm annealed - 13.3mm airspace - 3.0mm annealed - 2.3mm SGP Interlayer by Kuraray - 3.0mm annealed insulating glass.
4. Use structural or composite shims where required.

This schedule addresses only the fasteners required to anchor the unit to achieve the rated design pressure and impact performance (where applicable) up to the size limitations noted. It is not intended as a guide to the installation process and does not address the sealing consideration that may arise in different wall conditions. For the complete installation procedure, see the instructions packaged with the unit or go to [www.jeld-wen.com](http://www.jeld-wen.com).

**DISCLAIMER:**

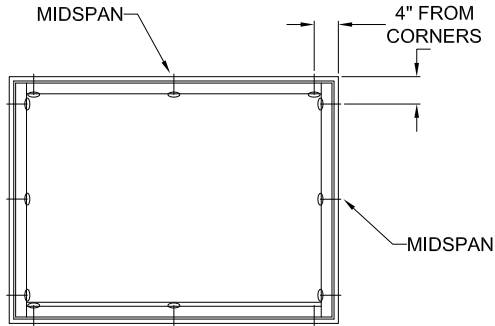
This drawing and its contents are confidential and are not to be reproduced or copied in whole or in part or used or disclosed to others except as authorized by JELD-WEN Inc.



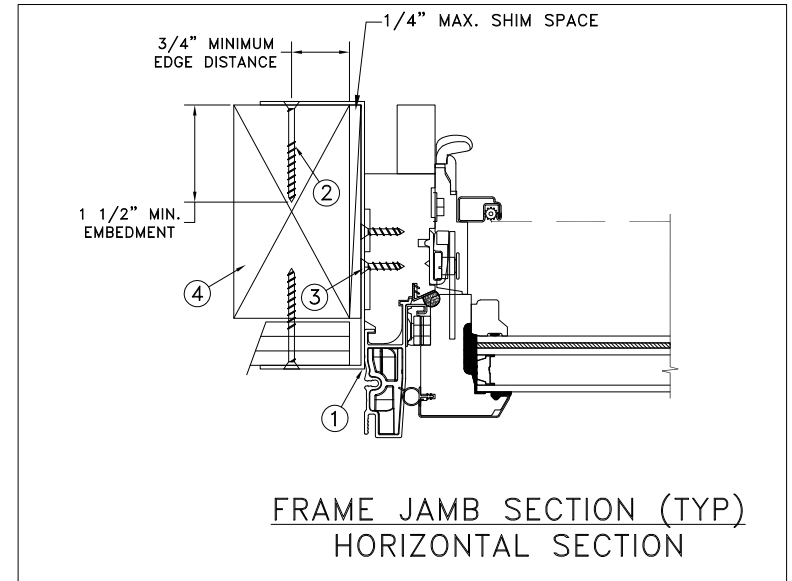
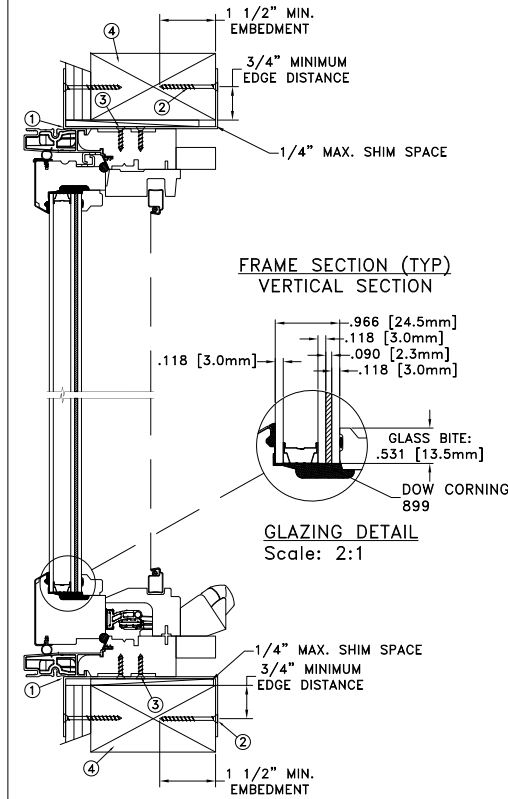
HERMES F. NORERO, P.E.  
Florida No. 73778  
398 East Dania Beach Blvd, Suite 338  
Dania Beach, FL 33004

DATE: 12/04/2018		3737 LAKEPORT BLVD. KLAMATH FALLS OR, 97601 PHONE: (800) 535-3936
DRAWN BY: J.HAWKINS		SCALE: NTS
CHECKED BY: G.GARDNER	TITLE: Custom Clad Awning Window - Impact	
APPROVED BY: D.STOKES	RECORD No.:	
	D006832	
	REPORT No.:	
	4726.01-301-47-R1	
CAD DWG. No.:	REV:	SHEET
CustCLAwning Cert	A	4 of 5

MASONRY STRAP  
INSTALLATION



TYPICAL ELEVATION WITH FASTENER SPACING



MAXIMUM FRAME	DP	IMPACT
48 x 36	+60/-65	YES
WINDZONE 3		

**Installation Notes:**

1. Seal flange/frame to substrate. Sill shall be set on a continuous serpentine bead of structural grade silicone caulk when no fastener is used to anchor the sill (typical).
2. Use min. 2 - #8 PFH or larger fasteners through masonry strap with sufficient length to penetrate a minimum of 1 1/2" into the buck. Bend straps around both sides of the buck. For 2x wood frame substrate (min. S.G. = 0.42).
3. Use min. 2 - #8 PFH or larger fasteners through masonry strap into jamb without penetrating through the jamb into product causing visibility or collateral damage to product.
4. Host structure (wood buck, masonry, steel) to be designed and anchored to properly transfer all loads to the structure. The host structure is the responsibility of the architect or engineer of record for the project of installation.

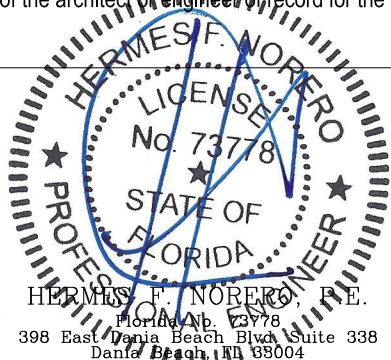
**General Notes:**

1. The product shown herein is designed, tested and manufactured to comply with the wind load criteria of the adopted International Building Code (IBC), the International Residential Code (IRC), the Florida Building Code (FBC) and the industry requirement for the stated conditions.
2. All glazing shall conform to ASTM E1300.
3. At minimum, glazing is 3.0mm annealed - 13.3mm airspace - 3.0mm annealed - 2.3mm SGP Interlayer by Kuraray - 3.0mm annealed insulating glass.
4. Use structural or composite shims where required.

This schedule addresses only the fasteners required to anchor the unit to achieve the rated design pressure and impact performance (where applicable) up to the size limitations noted. It is not intended as a guide to the installation process and does not address the sealing consideration that may arise in different wall conditions. For the complete installation procedure, see the instructions packaged with the unit or go to [www.jeld-wen.com](http://www.jeld-wen.com).

**DISCLAIMER:**

This drawing and its contents are confidential and are not to be reproduced or copied in whole or in part or used or disclosed to others except as authorized by JELD-WEN Inc.



HERMES F. NORERO, P.E.  
Florida No. 73778  
398 East Dania Beach Blvd, Suite 338  
Dania Beach, FL 33004

DATE: 12/04/2018		3737 LAKEPORT BLVD. KLAMATH FALLS OR, 97601 PHONE: (800) 535-3936
DRAWN BY: J.HAWKINS		SCALE: NTS
CHECKED BY: G.GARDNER	Custom Clad Awning Window - Impact	
APPROVED BY: D.STOKES		
RECORD No.:	4726.01-301-47-R1	
REPORT No.:	CAD DWG. No.:	REV: A
	CustCLAw Cert	SHEET 5 of 5